

**blue**  
performance



comfort

storage

protection

**BOATING EQUIPMENT**

[WWW.BLUEPERFORMANCE.COM](http://WWW.BLUEPERFORMANCE.COM)

A few years ago, a group of designers with a great deal of sailing experience got together with a team of marketing professionals and decided to work on a series of new products: innovative products for sailing yachts and motor boats that can be used for storage, for increasing comfort and for protecting valuables.

With pride we announced the creation of the brand called Blue Performance; a brand which stands for boating equipment and accessories designed with the greatest of care. The products are functional, durable, extensively tested and always designed in harmony with each other.

At the introduction of the first series of products at the largest international water sport trade fair, the products were immediately received with favour by the specialist trade and consumers. Everybody has embraced the new brand and the products have been given various design awards.

Thanks to continuous innovation, we are adding more new products to the assortment and improving existing products.

Blue Performance stands for Comfort, Storage and Protection. Handy and durable products, in the harbour or on water.

We hope you enjoy using the products that we have developed for you.

*Team Blue Performance*



## AWNINGS

	DIMENSIONS IN M (L X W)	IN FEET (L X W)	CODE
STANDARD S	3.00 x 2.60	9.8 x 8.5	BP101
STANDARD M	3.30 x 2.85	10.8 x 9.4	BP111
STANDARD L	3.60 x 3.10	11.8 x 10.2	BP121
DE LUXE S	3.00 x 2.60	9.8 x 8.5	BP102
DE LUXE M	3.30 x 2.85	10.8 x 9.4	BP112
DE LUXE L	3.60 x 3.10	11.8 x 10.2	BP122

COLOUR LIGHT GREY  
MATERIAL RIPSTOP/NYLON



## HATCH COVERS

SIZE	DIMENSIONS IN MM (L X W)	IN INCHES (L X W)	CODE
1	280 x 280	11.0 x 11.0	BP801
2	330 x 330	13.0 x 13.0	BP802
3	450 x 450	17.7 x 17.7	BP803
4	500 x 500	19.7 x 19.7	BP804
5	580 x 580	22.8 x 22.8	BP805
6	700 x 700	27.5 x 27.5	BP806
7	770 x 770	30.3 x 30.3	BP807
8	860 x 860	33.9 x 33.9	BP808
9	300 x 400	11.8 x 15.7	BP809
10	400 x 500	15.7 x 19.7	BP810
11	450 x 580	17.7 x 22.8	BP811
12	Ø 500	Ø 19.7	BP812
13	Ø 600	Ø 23.6	BP813

COLOUR GREY  
MATERIAL RIPSTOP/STRETCH



## HATCH COVERS MOSQUITO

SIZE	DIMENSIONS IN MM (L X W)	IN INCHES (L X W)	CODE
1	450 x 450	17.7 x 17.7	BP851
2	500 x 500	19.7 x 19.7	BP852
3	580 x 580	22.8 x 22.8	BP853
4	700 x 700	27.5 x 27.5	BP854
5	770 x 770	30.3 x 30.3	BP855
6	860 x 860	33.9 x 33.9	BP856
7	400 x 500	15.7 x 19.7	BP857
8	450 x 580	17.7 x 22.8	BP858
9	Ø 500	Ø 19.7	BP859
10	Ø 600	Ø 23.6	BP860

COLOUR GREY  
MATERIAL RIPSTOP/STRETCH/MOSQUITO NET







### SUNSHADES - FREE HANGING

	DIMENSIONS IN MM (L X W)	IN INCHES (L X W)	CODE
SMALL	1020 x 1020	40.2 x 40.2	BP150
MEDIUM	1370 x 1370	53.9 x 53.9	BP160
LARGE	1600 x 1600	63.0 x 63.0	BP170
GIANT	1850 x 1850	72.8 x 72.8	BP180

COLOUR LIGHT GREY  
MATERIAL RIPSTOP/NYLON

### SUNSHADES - FREE STANDING

	DIMENSIONS IN MM (L X W)	IN INCHES (L X W)	CODE
MEDIUM	1370 x 1370	53.9 x 53.9	BP130
LARGE	1600 x 1600	63.0 x 63.0	BP140

COLOUR LIGHT GREY  
MATERIAL RIPSTOP/NYLON



### LAZY JACKS (COMPLETE SET)

	DIMENSIONS IN MM (L X H)	IN INCHES (L X H)	BY	CODE
COMPLETE SET			L/R	BP999
ONE SET CONTAINS				
	430 x 35	169.3 x 13.8	2	
	540 x 35	212.6 x 13.8	2	
	665 x 35	261.8 x 13.8	2	

COLOUR WHITE  
MATERIAL POLYESTER



### SUNSHADE DE LUXE

	DIMENSIONS IN M (L X W)	IN FEET (L X W)	CODE
SMALL	3.00 x 2.60	9.8 x 8.5	BP100
MEDIUM	3.30 x 2.85	10.8 x 9.4	BP110
LARGE	3.60 x 3.10	11.8 x 10.2	BP120

COLOUR LIGHT GREY  
MATERIAL RIPSTOP/NYLON



### SAIL CLIPS

DIMENSIONS	BY	Ø IN CM	Ø IN INCHES	CODE
EXTRA SMALL	3	14 - 24	5.5 - 9.4	BP290
SMALL	3	22 - 34	8.7 - 13.4	BP300
MEDIUM	3	28 - 47	11.0 - 18.5	BP310
LARGE	3	36 - 59	14.2 - 23.2	BP320
MIX S/M/L	3 x 1			BP330

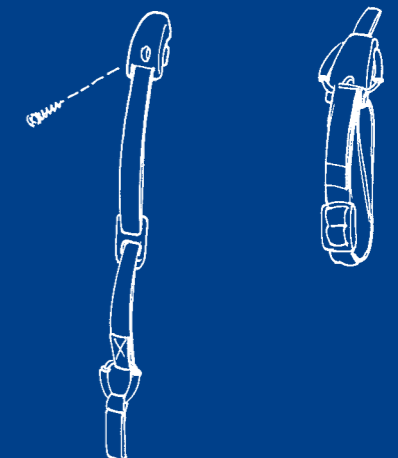
COLOUR EXTRA SMALL GREY/GREEN  
COLOUR SMALL GREY/YELLOW  
COLOUR MEDIUM GREY/BLUE  
COLOUR LARGE GREY/RED  
COLOUR S/M/L GREY/YELLOW/BLUE/RED  
MATERIAL WEBBING



### ROPE CLIP

	DIMENSIONS IN MM (L)	IN INCHES (L)	BY	CODE
	220 - 320	8.7 - 12.6	2	BP340

COLOUR LIGHT GREY  
MATERIAL WEBBING







### DECK SUNSHADE

	DIMENSIONS IN M (W1 X L X W2)	IN FEET (W1 X L X W2)	CODE
SMALL	1.80 x 1.80 x 0.39	5.9 x 5.9 x 1.3	BP200
MEDIUM	2.30 x 2.30 x 0.53	7.5 x 7.5 x 1.7	BP201
LARGE	2.80 x 2.90 x 0.60	9.2 x 9.5 x 2.0	BP202
EXTRA LARGE	3.25 x 3.55 x 0.60	10.7 x 11.6 x 2.0	BP203

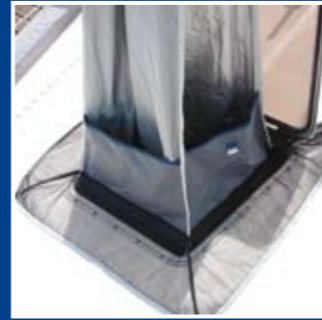
COLOUR LIGHT GREY  
MATERIAL RIPSTOP/NYLON



### WIND CATCHER

	DIMENSIONS IN MM (L X W X H)	IN INCHES (L X W X H)	CODE
STANDARD	450 x 450 x 2000	17.7 x 17.7 x 78.7	BP914

COLOUR LIGHT GREY  
MATERIAL RIPSTOP/NYLON/MOSQUITO NET



### UNIVERSAL COVER

	DIMENSIONS IN MM (L X W)	IN INCHES (L X W)	CODE
STANDARD	900 x 900	35.4 x 35.4	BP915

COLOUR LIGHT GREY  
MATERIAL RIPSTOP



### GAS CYLINDER TRAY

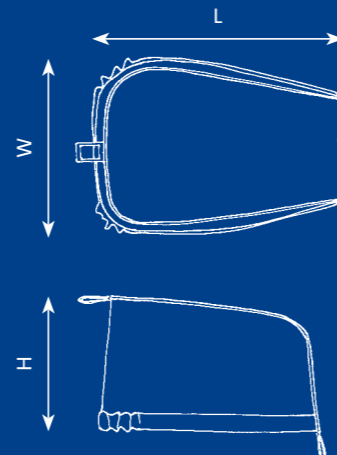
	DIMENSIONS IN MM (Ø X H)	IN INCHES (Ø X H)	CODE
STANDARD	Ø 212 x 36	Ø 8.3 x 1.4	BP650

COLOUR BLUE  
MATERIAL HDPE



### OUTBOARD COVERS

SIZE	DIMENSIONS IN MM (L X W X H)	IN INCHES (L X W X H)	ENGINE (HP)	CODE
1	460 x 240 x 220	18.1 x 9.4 x 8.7	2 2.2 2.3 2.5 3.3	BP751
2	480 x 280 x 300	18.9 x 11.0 x 11.8	4 4.5 5 6 8	BP752
3	540 x 320 x 340	21.3 x 12.6 x 13.4	9.9 10 15	BP753
4	600 x 360 x 360	23.6 x 14.2 x 14.2	20 25	BP754



COLOUR LIGHT GREY  
MATERIAL RIPSTOP



### PROPELLER COVERS

SIZE	DIMENSIONS IN MM	A	B	C	D	E	F	CODE
1		410	250	200	130	160	90	BP701
2		430	260	250	150	200	90	BP702
3		430	320	300	200	240	120	BP703
4		430	330	320	250	240	120	BP704

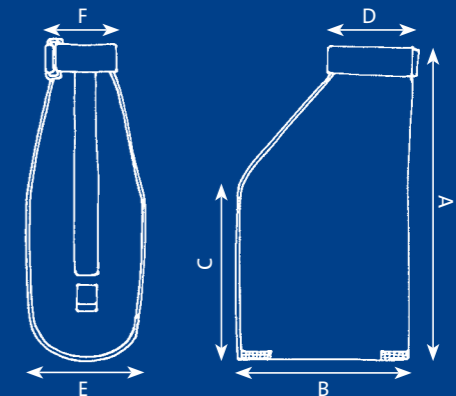
SIZE	DIMENSIONS IN INCHES	A	B	C	D	E	F	CODE
1		16.1	9.8	7.9	5.1	6.3	3.5	BP701
2		16.9	10.2	9.8	5.9	7.9	3.5	BP702
3		16.9	12.6	11.8	7.9	9.4	4.7	BP703
4		16.9	13.0	12.6	9.8	9.4	4.7	BP704

COLOUR GREY  
MATERIAL RIPSTOP



### DINGHY BAG

	DIMENSIONS IN MM (L X H X D)	IN INCHES (L X W X D)	CODE
STANDARD	450 x 250 x 200	17.7 x 9.8 x 7.9	BP588



COLOUR GREY  
MATERIAL RIPSTOP





### SEA RAIL COVERS

DIMENSIONS IN M (L)	IN FEET (L)	CODE
STANDARD 1	3.3	BP865
LONG 1.5	4.9	BP866
EXTRA LONG 2.0	6.6	BP867

COLOUR LIGHT GREY  
MATERIAL RIPSTOP



### SEA RAIL PROTECTOR

DIMENSIONS IN MM (L X Ø1 X Ø2)	IN INCHES (L X Ø1 X Ø2)	CODE
MEDIUM 180 x 10 x 20	7.1 x 3/8" x 3/4"	BP895
LARGE 198 x 13 x 25	7.8 x 1/2" x 1.0"	BP896

COLOUR LIGHT GREY  
MATERIAL PVC



### STAY PROTECTION

DIMENSIONS IN MM (L X W)	IN INCHES (L X W)	FOR	CODE
SMALL 370 x 75	14.6 x 3.0	5/16" AND 3/8"	BP890
MEDIUM 475 x 95	18.7 x 3.7	7/16" AND 1/2"	BP891
LARGE 610 x 135	24.0 x 5.3	5/8" AND 3/4"	BP892

COLOUR LIGHT GREY  
MATERIAL PVC



### SAFETY BUOY COVER + SPARE FLAGS

DIMENSIONS IN MM (L X Ø OR W)	IN INCHES (L X Ø OR W)	CODE
BUOY COVER 600 x 70	23.6 x 2.8	BP605
FLAG 460 x 330	18.1 x 13.0	

COLOUR LIGHT GREY  
MATERIAL RIPSTOP/NYLON



### SPINNAKER POLE PROTECTOR

DIMENSIONS IN MM (L X ØPOLE)	IN INCHES (L X ØPOLE)	CODE
SMALL 300 x 45 - 77	11.8 x 1.8 - 3.0	BP982
LARGE 400 x 77 - 110	15.7 x 3.0 - 4.3	BP983

COLOUR LIGHT GREY  
MATERIAL RIPSTOP/PVC



### SPINNAKER POLE COVER

DIMENSIONS IN MM (L X ØPOLE)	IN FEET/INCHES (L X ØPOLE)	CODE
SMALL 3500 x 100	11.5 x 3.9	BP994
MEDIUM 4000 x 110	13.1 x 4.3	BP995
LARGE 4500 x 120	14.8 x 4.7	BP996
EXTRA LARGE 5000 x 130	16.4 x 5.1	BP997
XX LARGE 5500 x 140	18.0 x 5.5	BP998

COLOUR LIGHT GREY  
MATERIAL NYLON



### SAIL COVER

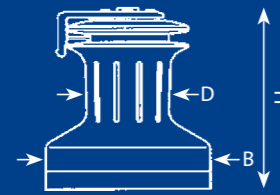
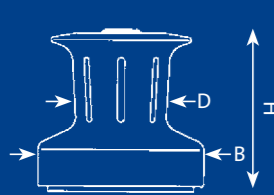
SIZE	DIMENSIONS IN M (L X H)	IN FEET (L X H)	CODE
1	2.9 - 3.3 x 1.16	9.5 - 10.8 x 3.8	BP760
2	3.3 - 3.7 x 1.22	10.8 - 12.1 x 4.0	BP761
3	3.7 - 4.1 x 1.29	12.1 - 13.5 x 4.2	BP762
4	4.1 - 4.5 x 1.40	13.5 - 14.8 x 4.6	BP763
5	4.5 - 5.0 x 1.50	14.8 - 16.4 x 4.9	BP764
6	5.0 - 5.5 x 1.60	16.4 - 18.0 x 5.2	BP765

COLOUR LIGHT GREY  
MATERIAL RIPSTOP





H = HEIGHT  
B = BASE  
D = DRUM



## WINCH COVERS

	SIZE	HEIGHT IN MM	Ø COVER IN MM	HEIGHT IN INCHES	Ø COVER IN INCHES	CODE
WINCH COVERS STANDARD WINCHES	1	133	137	5.2	5.4	BP901
	2	148	144	5.8	5.7	BP902
WINCH COVERS SELF TAILING WINCHES	3	164	138	6.5	5.4	BP903
	4	180	152	7.1	6.0	BP904
	5	197	170	7.8	6.7	BP905
	6	213	188	8.4	7.4	BP906
	7	228	200	9.0	7.9	BP907
	8	250	205	9.8	8.1	BP908
	9	285	266	11.2	10.5	BP909
	10.1	314	280	12.4	11.0	BP921
	10.2	317	315	12.5	12.4	BP922
	11	337	310	13.3	12.2	BP911
	12	362	330	14.3	13.0	BP912
13	397	360	15.6	14.2	BP913	

COLOUR GREY  
MATERIAL RIPSTOP

## WINCH COVERS

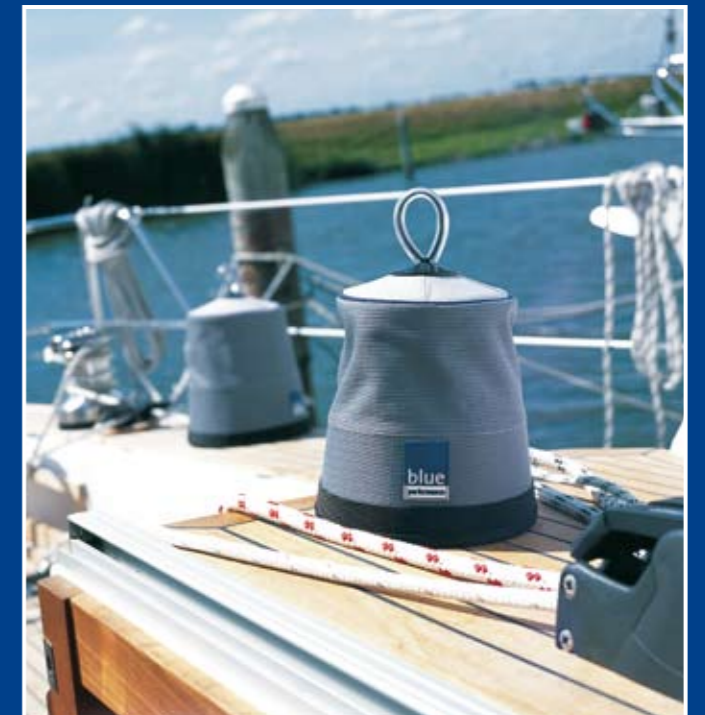
SIZE	BRAND	WINCH TYPE	H	B	D	H	B	D
			IN MM			IN INCHES		
1	ANDERSEN	28 STANDARD	125	125	70	4.9	4.9	2.8
1	HARKEN	B32.2C TWO SPEED	133	137	75	5.2	5.4	3.0
1	LEWMAR	24 TWO SPEED	124	120	66	4.9	4.7	2.6
1	LEWMAR	30 TWO SPEED	128	136	74	5.0	5.4	2.9
2	ANDERSEN	40 STANDARD	140	136	76	5.5	5.4	3.0
2	ANDERSEN	46 STANDARD	140	142	78	5.5	5.6	3.1
2	HARKEN	B40.2C TWO SPEED	148	144	76	5.8	5.7	3.0
2	LEWMAR	40 TWO SPEED	141,5	148	74	5.6	5.8	2.9
3	ANDERSEN	28 STANDARD	150	125	70	5.9	4.9	2.8
3	ANDERSEN	28 ELECTRIC ST COMPACT	158	125	70	6.2	4.9	2.8
3	HARKEN	B32.2 STC 2 SPEED	164	137	75	6.5	5.4	3.0
3	LEWMAR	30 ST OCEAN TWO SPEED	161	138	74	6.3	5.4	2.9
4	ANDERSEN	40 STANDARD	172	152	76	2.8	6.0	3.0
4	ANDERSEN	40 ELECTRIC ST COMPACT	180	152	76	7.1	6.0	3.0
4	HARKEN	B40.2 STC 2 SPEED	176	150	76	6.9	5.9	3.0
4	LEWMAR	40 ST OCEAN TWO SPEED	173	148	74	6.8	5.8	2.9
4	LEWMAR	40 STOR RACING	173	148	74	6.8	5.8	2.9
4	HARKEN	B44.2 STC 2 SPEED	197	170	92	7.8	6.7	3.6
5	HARKEN	B45.2 STR RACING 2 SPEED	197	170	92	7.8	6.7	3.6
5	LEWMAR	40 ELECTRIC ST	189,5	154	-	7.5	6.1	-
5	LEWMAR	44 ST OCEAN TWO SPEED	192	168	87	7.6	6.6	3.4
5	LEWMAR	44 STOR RACING	192	168	87	7.6	6.6	3.4
6	ANDERSEN	46 STANDARD ST	205	180	90	8.1	7.1	3.5
6	ANDERSEN	46 ST STAINLESS STEEL	205	180	90	8.1	7.1	3.5
6	ANDERSEN	46 ELECTRIC ST COMPACT	213	180	90	8.4	7.1	3.5
6	ANDERSEN	46 HYDRAULIC ST	213	180	90	8.4	7.1	3.5
6	HARKEN	B40.2 STEC ELECTRIC	205	156	76	8.1	6.1	3.0
6	HARKEN	B44.2 STEC ELECTRIC	211	165	92	8.3	6.5	3.6
6	HARKEN	B46.2 STC 2 SPEED	211	175	100	8.3	6.9	3.9
6	LEWMAR	48 ST OCEAN TWO SPEED	208	181	93	8.2	7.1	3.7
6	LEWMAR	48 STOR RACING	208	181	93	8.2	7.1	3.7
6	LEWMAR	44 ELECTRIC ST	208,5	174	-	8.2	6.9	-
6	LEWMAR	44 HYDRAULIC ST	212,5	188	87	8.4	7.4	3.4
6	LEWMAR	44 STOR RACING - HIGH SPEED	213	181	87	8.4	7.1	3.4
7	ANDERSEN	46 ELECTRIC ST	216	180	90	8.5	7.1	3.5
7	ANDERSEN	52 STANDARD ST	225	200	100	8.9	7.9	3.9
7	ANDERSEN	52 ST STAINLESS STEEL	225	200	100	8.9	7.9	3.9
7	HARKEN	B46.2 STEC ELECTRIC	216	170	100	8.5	6.7	3.9
7	HARKEN	B48.2 STC 2 SPEED	222	191	102	8.7	7.5	4.0
7	HARKEN	B48.2 STR RACING 2/3 SPEED	222	191	102	8.7	7.5	4.0
7	LEWMAR	48 ELECTRIC ST	224	186	-	8.8	7.3	-
7	LEWMAR	48 STOR RACING - HIGH SPEED	226	196	93	8.9	7.7	3.7
7	LEWMAR	48 HYDRAULIC ST	228	200	93	9.0	7.9	3.7
8	ANDERSEN	52 ELECTRIC ST COMPACT	235	200	100	9.3	7.9	3.9
8	ANDERSEN	52 ELECTRIC ST	235	200	100	9.3	7.9	3.9
8	ANDERSEN	52 HYDRAULIC ST	245	200	100	9.6	7.9	3.9
8	HARKEN	B48.2 STEC ELECTRIC	237	191	102	9.3	7.5	4.0
8	HARKEN	B53.2 STC 2/3 SPEED	246	221	113	9.7	8.7	4.4
8	HARKEN	B53.2 STR RACING 2 SPEED	246	221	113	9.7	8.7	4.4
8	LEWMAR	50 ST OCEAN TWO SPEED	238	200	105	9.4	7.9	4.1
8	LEWMAR	50 STOR RACING	238	200	105	9.4	7.9	4.1
8	LEWMAR	54 ST OCEAN TWO SPEED	250	205	105	9.8	8.1	4.1
8	LEWMAR	54 STOR RACING	250	205	105	9.8	8.1	4.1
9	ANDERSEN	58 STANDARD ST	258	230	115	10.2	9.1	4.5
9	ANDERSEN	58 ST STAINLESS STEEL	258	230	115	10.2	9.1	4.5
9	ANDERSEN	62 STANDARD ST	258	230	115	10.2	9.1	4.5
9	ANDERSEN	62 ST STAINLESS STEEL	258	230	115	10.2	9.1	4.5

SIZE	BRAND	WINCH TYPE	H	B	D	H	B	D
			IN MM			IN INCHES		
9	ANDERSEN	58 ELECTRIC STE	264	230	115	10.4	9.1	4.5
9	ANDERSEN	62 ELECTRIC STE	264	230	115	10.4	9.1	4.5
9	ANDERSEN	58 ELECTRIC STE COMPACT U	258	230	115	10.2	9.1	4.5
9	ANDERSEN	58 ELECTRIC STE COMPACT D	268	230	115	10.6	9.1	4.5
9	ANDERSEN	62 ELECTRIC STE COMPACT U	258	230	115	10.2	9.1	4.5
9	ANDERSEN	62 ELECTRIC STE COMPACT D	268	230	115	10.6	9.1	4.5
9	ANDERSEN	58 HYDRAULIC STH	268	230	115	10.6	9.1	4.5
9	ANDERSEN	62 HYDRAULIC STH	268	230	115	10.6	9.1	4.5
9	HARKEN	B53.2 ST TWO SPEED	245	220	112	9.6	8.7	4.4
9	HARKEN	B56.2 ST TWO SPEED	270	225	120	10.6	8.9	4.7
9	HARKEN	B56.3 ST THREE SPEED	270	225	120	10.6	8.9	4.7
9	HARKEN	B53.2 STE ELECTRIC	260	220	112	10.2	8.7	4.4
9	HARKEN	B53.2 STH HYDRAULIC	260	220	112	10.2	8.7	4.4
9	LEWMAR	58 ST TWO SPEED	266	228	118	10.5	9.0	4.6
9	LEWMAR	64 ST TWO SPEED	271	231	118	10.7	9.1	4.6
9	LEWMAR	50 ELECTRIC ST	258	209	105	10.2	8.2	4.1
9	LEWMAR	50 HYDRAULIC ST	258	209	105	10.2	8.2	4.1
9	LEWMAR	54 ELECTRIC ST	270	209	105	10.6	8.2	4.1
9	LEWMAR	54 HYDRAULIC ST	270	209	105	10.6	8.2	4.1
9	LEWMAR	58 STOR RACING	266	228	118	10.5	9.0	4.6
9	LEWMAR	62 STOR RACING	271	231	118	10.7	9.1	4.6
10.1	HARKEN	B56.2 STE ELECTRIC	285	225	120	11.2	8.9	4.7
10.1	HARKEN	B56.2 STH HYDRAULIC	285	225	120	11.2	8.9	4.7
10.1	LEWMAR	58 ELECTRIC ST	286	234	118	11.3	9.2	4.6
10.1	LEWMAR	58 HYDRAULIC ST	286	234	118	11.3	9.2	4.6
10.1	LEWMAR	64 ELECTRIC ST	291	234	118	11.5	9.2	4.6
10.1	LEWMAR	64 HYDRAULIC ST	291	234	118	11.5	9.2	4.6
10.2	ANDERSEN	68 STANDARD ST	280	280	140	11.0	11.0	5.5
10.2	ANDERSEN	68 ST STAINLESS STEEL	280	280	140	11.0	11.0	5.5
10.2	ANDERSEN	72 STANDARD ST	280	280	140	11.0	11.0	5.5
10.2	ANDERSEN	72 ST STAINLESS STEEL	280	280	140	11.0	11.0	5.5
10.2	ANDERSEN	68 ELECTRIC STE	290	280	140	11.4	11.0	5.5
10.2	ANDERSEN	72 ELECTRIC STE	290	280	140	11.4	11.0	5.5
10.2	ANDERSEN	68 ELECTRIC STE COMPACT U	280	280	140	11.0	11.0	5.5
10.2	ANDERSEN	68 ELECTRIC STE COMPACT D	290	280	140	11.4	11.0	5.5
10.2	ANDERSEN	72 ELECTRIC STE COMPACT U	280	280	140	11.0	11.0	5.5
10.2	ANDERSEN	72 ELECTRIC STE COMPACT D	290	280	140	11.4	11.0	5.5
10.2	ANDERSEN	68 HYDRAULIC STH	290	280	140	11.4	11.0	5.5
10.2	ANDERSEN	72 HYDRAULIC STH	290	280	140	11.4	11.0	5.5
10.2	HARKEN	B66.2 ST TWO SPEED	300	265	150	11.8	10.4	5.9
10.2	HARKEN	B66.3 ST THREE SPEED	300	265	150	11.8	10.4	5.9
10.2	HARKEN	B74.2 ST TWO SPEED	300	265	150	11.8	10.4	5.9
10.2	HARKEN	B74.3 ST THREE SPEED	300	265	150	11.8	10.4	5.9
10.2	LEWMAR	66 ST TWO SPEED	302	282	141	11.9	11.1	5.6
10.2	LEWMAR	64 HYDRAULIC ST	291	234	118	11.5	9.2	4.6
10.2	LEWMAR	66 ELECTRIC ST TWO SPEED	302	282	141	11.9	11.1	5.6
10.2	LEWMAR	66 HYDRAULIC ST TWO SPEED	302	282	141	11.9	11.1	5.6
11	HARKEN	B64.2 ST TWO SPEED	300	245	130	11.8	9.6	5.1
11	HARKEN	B64.3 ST THREE SPEED	308	245	130	12.1	9.6	5.1
11	HARKEN	B64.2 STE ELECTRIC	323	245	130	12.7	9.6	5.1
11	HARKEN	B64.2 STE HYDRAULIC	323	245	130	12.7	9.6	5.1
11	HARKEN	B66.2 STE ELECTRIC	315	265	150	12.4	10.4	5.9
11	HARKEN	B66.2 STE HYDRAULIC	315	265	150	12.4	10.4	5.9
11	HARKEN	B74.2 STE ELECTRIC	315	265	150	12.4	10.4	5.9
11	HARKEN	B74.2 STE HYDRAULIC	315	265	150	12.4	10.4	5.9
12	LEWMAR	66/3 ST THREE SPEED	348	294	141	13.7	11.6	5.6
12	LEWMAR	77 ST TWO SPEED	348	294	178	13.7	11.6	7.0

SIZE	BRAND	WINCH TYPE	H	B	D	H	B	D
			IN MM			IN INCHES		
12	LEWMAR	77/3 ST THREE SPEED	348	294	178	13.7	11.6	7.0
12	LEWMAR	66/3 ELECTRIC ST THREE SPEED	347	294	141	13.7	11.6	5.6
12	LEWMAR	66/3 HYDRAULIC ST THREE SPEED	347	294	141	13.7	11.6	5.6
12	LEWMAR	77 ELECTRIC ST TWO SPEED	348	294	178	13.7	11.6	7.0
12	LEWMAR	77/3 ELECTRIC ST THREE SPEED	348	294	178	13.7	11.6	7.0
12	LEWMAR	77 HYDRAULIC ST TWO SPEED	348	294	178	13.7	11.6	7.0
12	LEWMAR	77/3 HYDRAULIC ST THREE SPEED	348	294	178	13.7	11.6	7.0
12	LEWMAR	77/3 STOR RACING	348	294	178	13.7	11.6	7.0
13	ANDERSEN	78 ST STAINLESS STEEL	370	320	170	14.6	12.6	6.7
13	ANDERSEN	78 ELECTRIC STE STAINLESS STEEL	370	320	170	14.6	12.6	6.7
13	ANDERSEN	78 HYDRAULIC STH	380	320	170	15.0	12.6	6.7

WINCH DIMENSIONS ANDERSEN, LEWMAR AND HARKEN

DIMENSIONS CAN BE SUBJECT OF MODIFICATION







### SEA RAIL BAGS

	DIMENSIONS IN MM (L X H X D)	IN INCHES (L X H X D)	CODE
STANDARD	400 x 300 x 200	15.7 x 11.8 x 7.9	BP490
DE LUXE	400 x 300 x 200	15.7 x 11.8 x 7.9	BP515

COLOUR GREY  
MATERIAL RIPSTOP

### PRO-LINE SEA RAIL BAG

	DIMENSIONS IN MM (L X H X D)	IN INCHES (L X H X D)	CODE
STANDARD	400 x 350 x 130	15.75 x 13.78 x 51.2	BP491

COLOUR LIGHT GREY  
MATERIAL PVC/TERYLENE



### PRO-LINE COCKPIT BAGS

	DIMENSIONS IN MM (L X H X D)	IN INCHES (L X H X D)	CODE
SMALL	350 x 300 x 130	13.78 x 11.81 x 5.12	BP411
MEDIUM	350 x 400 x 130	13.78 x 15.75 x 5.12	BP412
LARGE	350 x 500 x 130	13.78 x 19.69 x 5.12	BP413
EXTRA LARGE	400 x 600 x 130	15.75 x 23.62 x 5.12	BP414

COLOUR LIGHT GREY  
MATERIAL PVC/TERYLENE



### BULKHEAD SHEET BAGS

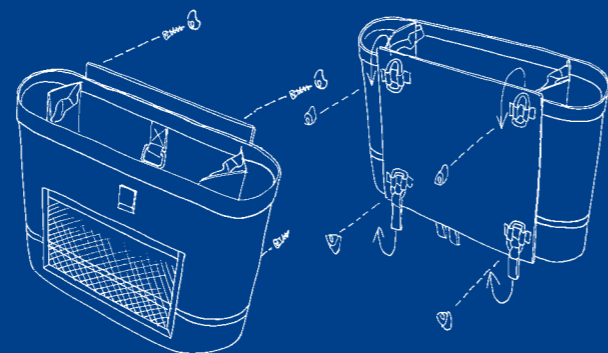
	DIMENSIONS IN MM (L X H X D)	IN INCHES (L X H X D)	CODE
SMALL	300 x 200 x 120	11.8 x 7.9 x 4.7	BP450
MEDIUM	350 x 250 x 150	13.8 x 9.8 x 5.9	BP460
LARGE	420 x 300 x 200	16.5 x 11.8 x 7.9	BP470
DEEP	330 x 380 x 120	13.0 x 15.0 x 4.7	BP475

COLOUR GREY  
MATERIAL RIPSTOP

### BULKHEAD SHEET COMBI BAGS

	DIMENSIONS IN MM (L X H X D)	IN INCHES (L X H X D)	CODE
SMALL	350 x 200 x 100	13.8 x 7.9 x 3.9	BP500
MEDIUM	385 x 275 x 110	15.2 x 10.8 x 4.3	BP505
LARGE	420 x 300 x 120	16.5 x 11.8 x 4.7	BP510

COLOUR GREY  
MATERIAL RIPSTOP



### COCKPIT COMBI BAG

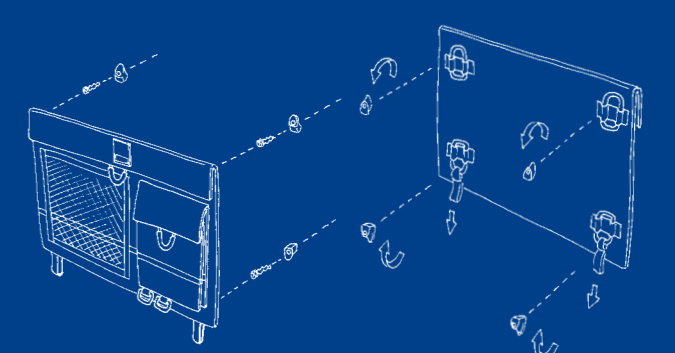
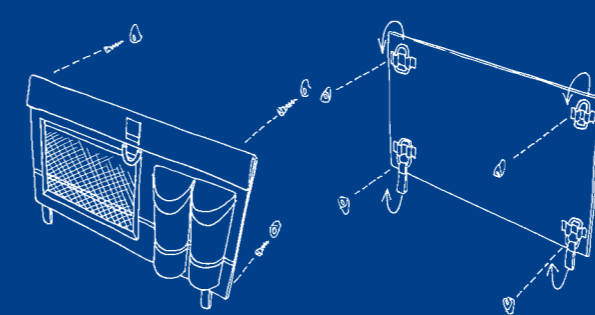
	DIMENSIONS IN MM (L X H X D)	IN INCHES (L X H X D)	CODE
	470 x 300 x 70	18.5 x 11.8 x 2.8	BP405

COLOUR GREY  
MATERIAL RIPSTOP

### COCKPIT BAGS

	DIMENSIONS IN MM (L X W)	IN INCHES (L X W)	CODE
SMALL	300 x 250	11.8 x 9.8	BP410
LARGE	470 x 300	18.5 x 11.8	BP400

COLOUR GREY  
MATERIAL RIPSTOP







### CAN HOLDERS

	DIMENSIONS IN MM (L X H X D)	IN INCHES (L X H X D)	CODE
STANDARD	180 x 100 x 90	7.1 x 3.9 x 3.5	BP660
WITH HOOKS	180 x 100 x 90	7.1 x 3.9 x 3.5	BP661

COLOUR GREY  
MATERIAL RIPSTOP

### WINCH HANDLE BAGS

	DIMENSIONS IN MM (L X H X D)	IN INCHES (L X H X D)	CODE
SMALL	110 x 280 x 70	4.3 x 11.0 x 2.8	BP435
LARGE	150 x 300 x 95	5.9 x 11.8 x 3.7	BP440

COLOUR GREY  
MATERIAL RIPSTOP



### SEA MAP BAGS

	DIMENSIONS IN MM (L X W)	IN INCHES (L X W)	CODE
LARGE	590 x 420	23.2 x 16.5	BP480
SMALL	500 x 360	19.7 x 14.2	BP485

COLOUR LIGHT GREY/TRANSPARENT  
MATERIAL RIPSTOP/PVC



### HAMMOCK

	DIMENSIONS IN MM (L X W)	IN INCHES (L X W)	CODE
	2100 x 1200/1000	82.7 x 47.2/39.4	BP190

COLOUR GREY  
MATERIAL RIPSTOP/MESH



### MAST SHEET BAGS

	DIMENSIONS IN MM (L X H X D)	IN INCHES (L X H X D)	CODE
SMALL	150 x 450 x 110	5.9 x 17.7 x 4.3	BP550
MEDIUM	175 x 600 x 130	6.9 x 23.6 x 5.1	BP555
LARGE	210 x 700 x 150	8.3 x 27.6 x 5.9	BP560

COLOUR GREY  
MATERIAL RIPSTOP

### PRO-LINE HALYARD BAGS

	DIMENSIONS IN MM (L X H X D)	IN INCHES (L X H X D)	CODE
SMALL	150 x 450 x 110	5.9 x 17.7 x 4.3	BP561
MEDIUM	175 x 600 x 130	6.9 x 23.6 x 5.1	BP562
LARGE	210 x 700 x 150	8.3 x 27.6 x 5.9	BP563

COLOUR LIGHT GREY  
MATERIAL PVC/TERYLENE





### SPINNAKER BAGS

### STORAGE RAIL BAGS

	DIMENSIONS IN MM (L X H X D)	IN INCHES (L X H X D)	CODE
SMALL	600 x 340 x 370	23.6 x 13.4 x 14.6	BP530
MEDIUM	750 x 370 x 420	29.5 x 14.6 x 16.5	BP535
LARGE	900 x 420 x 500	35.4 x 16.5 x 19.7	BP540
EXTRA LARGE	1000 x 500 x 600	39.4 x 19.7 x 23.6	BP545

	DIMENSIONS IN MM (L X H X D)	IN INCHES (L X H X D)	CODE
SMALL	600 x 585 x 300	23.6 x 23.0 x 11.8	BP610
MEDIUM	750 x 585 x 375	29.5 x 23.0 x 14.8	BP615
LARGE	900 x 585 x 450	35.4 x 23.0 x 17.7	BP620

COLOUR GREY  
MATERIAL NYLON/MESH

COLOUR GREY  
MATERIAL RIPSTOP/MESH



### HULL PROTECTOR

### ROPE COVER (SET OF 2 PIECES)

	DIMENSIONS IN MM (L X H)	IN INCHES (L X H)	CODE
SMALL	2000 x 650	787.4 x 255.9	BP868
LARGE	2500 x 800	984.3 x 315.0	BP869

	DIMENSIONS IN MM (L X B X D)	IN INCHES (L X H X D)	CODE
	420 x 50 x 2	165.4 x 19.7 x 0.8	BP341

COLOUR GREY  
MATERIAL RIPSTOP

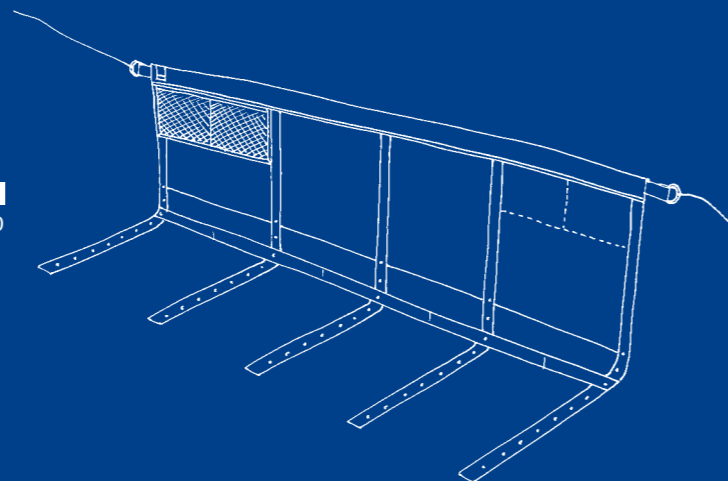
COLOUR GREY  
MATERIAL POLYESTER



### BUNKNET

	DIMENSIONS IN MM (L X H)	IN INCHES (L X H)	CODE
	1700 x 530 + 370	66.9 x 20.9 + 14.6	BP600

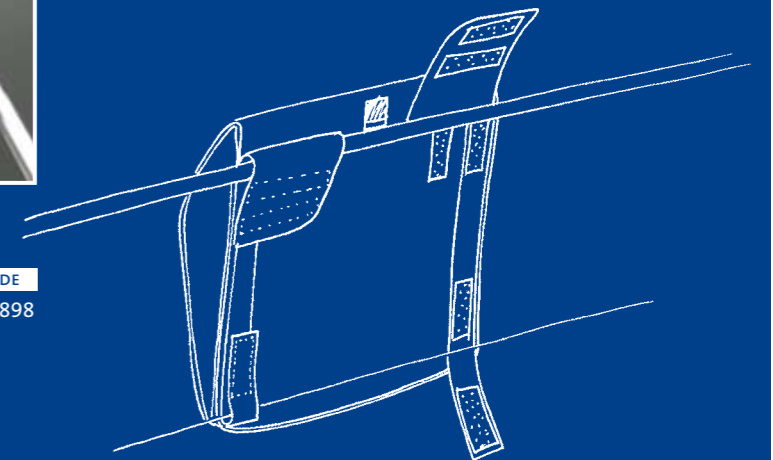
COLOUR LIGHT GREY  
MATERIAL RIPSTOP/NYLON/WEBBING



### RAILING CUSHION

	DIMENSIONS IN MM (L X H X D)	IN INCHES (L X H X D)	CODE
	440 x 420 x 105	173.2 x 165.4 x 41.3	BP898

COLOUR GREY  
MATERIAL RIPSTOP





**BRIEFCASE**

	DIMENSIONS IN MM (L X H X D)	IN INCHES (L X H X D)	CODE
BRIEFCASE	400 x 320 x 110	15.7 x 12.6 x 4.3	BP910
WASH BAG	240 x 140 x 140	9.4 x 5.5 x 5.5	BP880
SHOPPING BAG	400 x 430 x 170	15.7 x 16.9 x 6.7	BP875

COLOUR GREY  
MATERIAL RIPSTOP



**WASH BAG**



**SHOPPING BAG**



**WEEKEND BAG**

	DIMENSIONS IN MM (L X H X D)	IN INCHES (L X H X D)	CODE
WEEKEND BAG	570 x 320 x 320	22.4 x 12.6 x 12.6	BP870
TRAVEL BAG	700 x 390 x 390	27.6 x 15.4 x 15.4	BP885

COLOUR GREY  
MATERIAL RIPSTOP



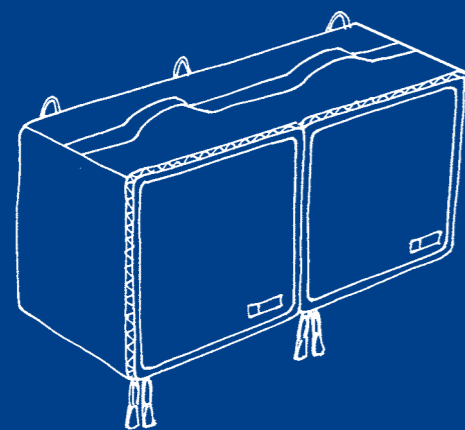
**TRAVEL BAG**



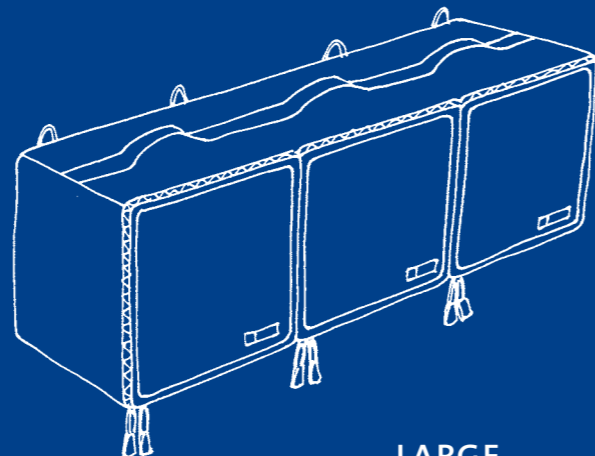
**FOLDABLE STORAGE BOX**

	DIMENSIONS IN MM (L X H X D)	IN INCHES (L X H X D)	CODE
SMALL	350 x 350 x 300	13.8 x 13.8 x 11.8	BP590
MEDIUM	700 x 350 x 300	27.6 x 13.8 x 11.8	BP591
LARGE	1050 x 450 x 300	41.3 x 13.8 x 11.8	BP592

COLOUR GREY  
MATERIAL RIPSTOP



**MEDIUM**



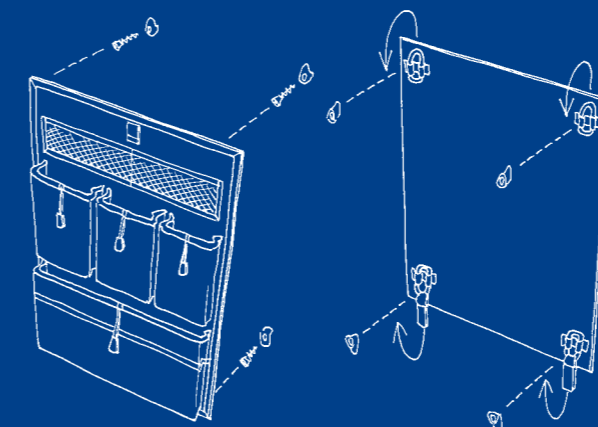
**LARGE**



**CABIN BAGS**

	DIMENSIONS IN MM (L X H X D)	IN INCHES (L X H X D)	CODE
SMALL	340 x 470 x 100	13.4 x 18.5 x 3.9	BP580
LARGE	450 x 580 x 100	17.7 x 22.8 x 3.9	BP585

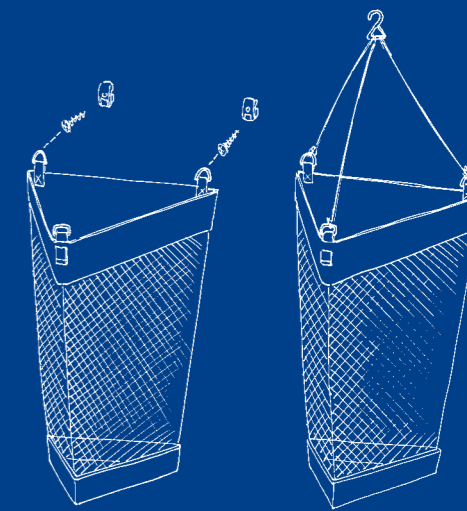
COLOUR GREY  
MATERIAL RIPSTOP



**LAUNDRY BAG**

	DIMENSIONS IN MM (L X H X D)	IN INCHES (L X H X D)	CODE
	435 x 650 x 380	17.1 x 25.6 x 15.0	BP570

COLOUR GREY  
MATERIAL RIPSTOP/MESH







**STORM UMBRELLA**



	CODE
MODEL ORIGINAL, BLUE PERFORMANCE BLUE	BP798

SENZ° BY BLUE PERFORMANCE

**NEW PRODUCTS**



**PRO-LINE HALYARD BAG**

	DIMENSIONS IN MM (L X H X D)	CODE
S	150 X 450 X 110	BP561
M	175 X 600 X 130	BP562
L	210 X 700 X 150	BP563



**PRO-LINE SEA RAIL BAG**

	DIMENSIONS IN MM (L X H X D)	CODE
	400 x 350 x 130	BP491



**PRO-LINE COCKPIT BAG**

	DIMENSIONS IN MM (L X H X D)	CODE
S	350 x 300 x 130	BP411
M	350 x 400 x 130	BP412
L	350 x 500 x 130	BP413
XL	350 x 600 x 180	BP414



**DINGHY COCKPITBAG**

	DIMENSIONS IN MM (L X H X D)	CODE
S	190 x 150 x 110	BP780
L	195 x 210 x 135	BP779
S (BLACK SERIES)	190 x 150 x 110	BP782
L (BLACK SERIES)	195 x 210 x 135	BP781



**STEERING WHEEL COVER**

	DIMENSIONS IN MM (DIAMETER)	CODE
	515	BP757
	565	BP758
	615	BP759
	670	BP766
	715	BP767
	820	BP768
	860	BP769
	920	BP770
	1020	BP771
	1120	BP772
	1225	BP773
	1330	BP774
	1410	BP795
	1530	BP796
	1620	BP797



**CLOTHES PIN BASKET**

	DIMENSIONS IN MM (L X H X D)	CODE
	120 x 150 x 70	BP775

**blue**  
performance



[WWW.BLUEPERFORMANCE.COM](http://WWW.BLUEPERFORMANCE.COM)



BLUE PERFORMANCE® IS A TRADEMARK OF BLUE PERFORMANCE B.V.®  
ALL MODELS ARE REGISTERED